



FIBERLINK®

Designed & Manufactured by
CSI New York

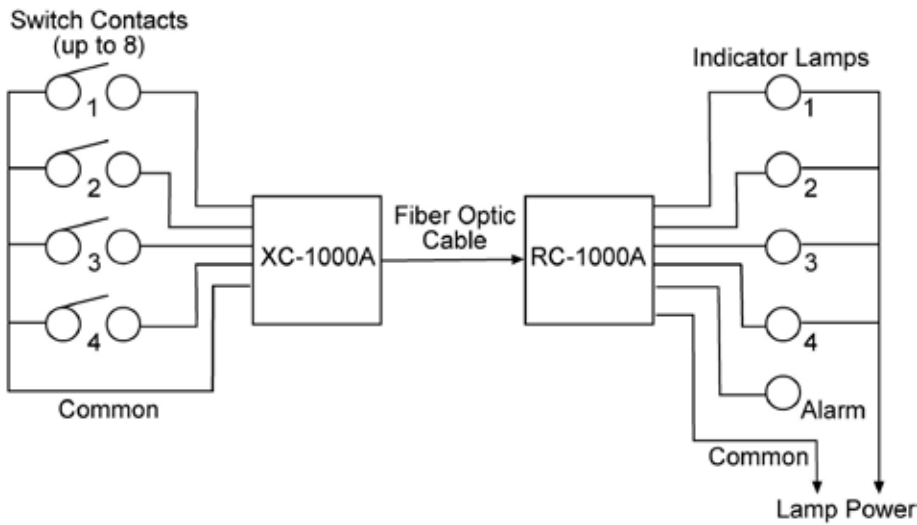
XC/RC-1000A

Transmits eight independent contact closure or TTL signals over a single fiber



Ideal Applications:

Security Centers, Casinos, Power Plants and Industrial Facilities all make smart use of the XC/RC 1000A!



Signal	Channels	Direction
Contact, TTL	8	→

Features

Eight independent channels multiplexed over a single fiber

Channels support contact or TTL signals and may be used in any combination

LEDs on both units display channels in use

Open collector output is provided for loss of signal

System consists of transmitter and receiver unit; card or box version. Each end, plus power supply, must be purchased separately

Card version fills one slot in MCR-1000A rackmountable card cage

Ordering Information

Part Number	Description	Fiber Cores
XC-1000A-1	Transmitter Box, 850 nm, Multimode	1
XC-1000A-3	Transmitter Box, 1310 nm, Multimode	1
XC-1000A-7	Transmitter Box, 1310 nm, Single Mode	1
RC-1000A-1	Receiver Box, 850 nm, Multimode	1
RC-1000A-3	Receiver Box, 1310 nm, Multimode	1
RC-1000A-7	Receiver Box, 1310 nm, Single Mode	1
MCR-1000A*	Rackmountable Card Cage	
XP-1000A	115 volts AC, 50/60 Hz plug-in adaptor	
XP-1001	230 volts AC, 50/60 Hz plug-in adaptor	

*To order a rackmounted version of an XC-1000A or RC-1000A unit, add an "/MCR" to the part number followed by a "-1", "-3" or "-7". Each module occupies one slot in the MCR-1000A card cage. Please note that the card versions of these products are NOT compatible with the model 6000A card cage used with most Pure Digital Fiberlink products.

Sales



CSI Communications
Specialties, Inc.

631-273-0404 | commspecial.com
info@commspecial.com

Data Specifications	
Number of Channels	8
Transmitter Input	Contact closure or TTL
Receiver Output	Contact closure or TTL
Contact Closure Rating	0.5A, resistive (10 VA)
Relay Status	Normally open
Speed of Response	2 msec typical
General Specifications	
Number of Fibers	1
Operating Temperature	0 to +50° C
Operating Power (per unit)	+10 to +18 volts DC @ 200 mA or +10 to +18 volts AC rms @ 200 mA
Dimensions	5.75 W x 1.75 H x 4 L (inches) 146 W x 45 H x 102 L (mm)
Weight	approx. 1 lb.; 0.45 kg
Optical Connectors	ST: multimode; FCPC: single mode
Optical Wavelength	850 or 1310 nm
Optical Fiber	50 or 62.5 micron multimode fiber 8/10 micron single mode fiber



Operating Loss Budget & Maximum Usable Distance*	
Fiber Type	Loss(dB)
50 micron	0-8
62.5 micron	0-10
8/10 micron	0-10
For system to operate properly, operating loss budget must not be exceeded.	

Want to learn more about fiber?

Log on to commspecial.com for fiber related resources written for Pro A/V Professionals by Pro A/V Professionals!

About CSI

Communications Specialties, Inc. (CSI) is an award-winning manufacturer of Pro A/V products for the distribution, conversion or transmission of television and computer video signals, including fiber optic transmission systems, scan converters and video scalars. The company was founded in 1983 by veterans of the broadcast industry. Since then, CSI has managed to consistently design innovative products that are used worldwide by Fortune 500 Companies in a variety of markets such as Broadcast/Professional A/V, Videoconferencing, Education, Home Theater, Security, ITS, Industrial Monitoring, and more!

The **Pure Digital Fiberlink®** line offers an extensive and affordable family of fiber optic transmission systems for the Professional A/V marketplace and includes several ground-breaking products for the transmission of high-resolution RGB signals. Systems for point-to-point and point-to-multipoint signal distribution make these products highly desirable for any Pro A/V architecture. New products are constantly being designed and developed and you can get the latest information at commspecial.com

Also from CSI: Scan Do® Scan Converters and Deuce® Video Scalars



Backed by a 30-day satisfaction guarantee and a three-year limited warranty on parts and labor. See website for terms and conditions.

Sales

631-273-0404 | commspecial.com
info@commspecial.com

UPDATED 3/12/2007
All specifications subject to change without notice. © 2007
Fiberlink and the starburst logo are registered trademarks of Communications Specialties, Inc. CSI and the triangle designs are trademarks of Communications Specialties, Inc.

