

# UNIVERSAL WALL MOUNTS



IDEAL FOR 23-50" FLAT PANEL DISPLAYS

**NEW!**

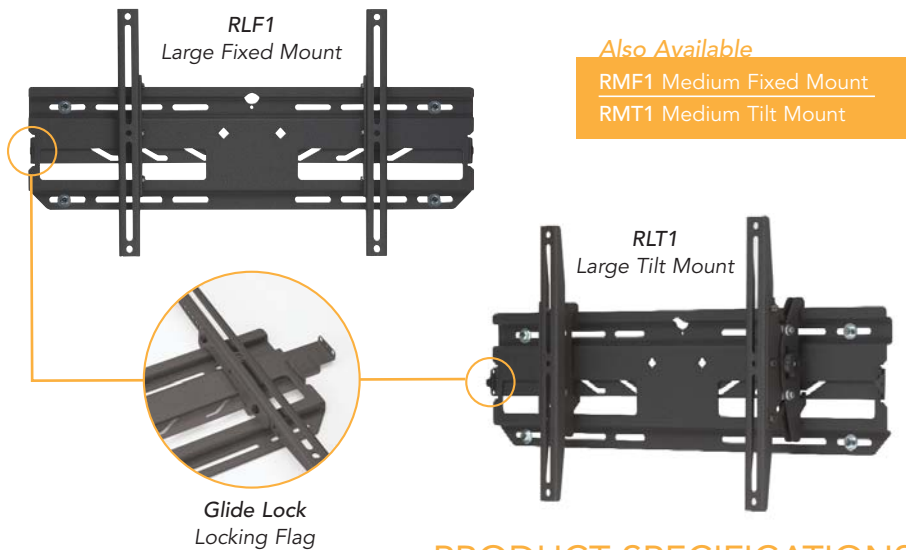
## GET BACK TO BASICS

*Universal, rail-style wall mounts are easy to install and simple to use.*

These simple, universal rail-style wall mounts offer an easy to assemble, two-piece design that integrates into any environment. These mounts are ideal for those who don't require the full feature-set or supporting accessories of Chief's FUSION™ Series fixed and tilt wall mounts.

### UNIQUE FEATURES

- Patented Centris® Technology fingertip tilt adjustments 
- Multiple mounting options including single stud, 16", 20" and 24" centers
- Post-installation lateral shift
- Tool-less latching feature with exclusive Glide Lock™ Locking Flag
- Integrated security with the addition of a padlock
- Allows for easy outlet placement above or below mount
- Installation hardware included



*Also Available*  
 RMF1 Medium Fixed Mount  
 RMT1 Medium Tilt Mount

### PRODUCT SPECIFICATIONS

Model	Dimensions WxHxD	Weight Capacity	Tilt	Screen Size Range	Mounting Hole Patterns (Maximum WxH)	Installation Options	Color(s)
RMF1	20" x 10" x 1.64" (508 x 254 x 42 mm)	100 lbs (45 kg)	-	23-45" LCDs (58-114 cm)	9" x 17" (227 x 432 mm), VESA 400 x 200 mm	Single Stud, 16" Centers	■
RMT1	20" x 10" x 3.26" (508 x 254 x 83 mm)	100 lbs (45 kg)	+/- 15°	23-45" LCDs (58-114 cm)	9" x 17" (227 x 432 mm), VESA 400 x 200 mm	Single Stud, 16" Centers	■
RLF1	29" x 18" x 1.64" (737 x 457 x 42 mm)	175 lbs (80 kg)	-	30-50" Plasmas & LCDs (76-127 cm)	17" x 29" (432 x 737 mm)	16", 20" and 24" Centers	■
RLT1	29" x 18" x 3.26" (737 x 457 x 83 mm)	175 lbs (80 kg)	+/- 15°	30-50" Plasmas & LCDs (76-127 cm)	17" x 29" (432 x 737 mm)	16", 20" and 24" Centers	■

Distribuido por: T +34 976 572 279 • F +34 976 573 673 • [www.tecco.net](http://www.tecco.net)

CHIEF MANUFACTURING ■ A DIVISION OF CSAV, INC ■ [www.chiefmfg.com](http://www.chiefmfg.com)  
 USA/INTERNATIONAL ■ P 800.582.6480/952.894.6280 ■ F 877.894.6918/952.894.6918 ■ [chief@chiefmfg.com](mailto:chief@chiefmfg.com)  
 CHIEF MOUNTS CANADA ■ P 877.345.4329 ■ F 888.377.5314 ■ [info@chiefmounts.ca](mailto:info@chiefmounts.ca)  
 CSAV EUROPE B.V. ■ P 31 (0)40 2668620 ■ F 31 (0)40 2668615 ■ [europe.chief@csavinc.com](mailto:europe.chief@csavinc.com)  
 CSAV ASIA PACIFIC LTD ■ P 86 755 8996 9226 ■ F 86 755 8996 9217 ■ [asia.chief@csavinc.com](mailto:asia.chief@csavinc.com)

©2007 CSAV, Inc. Printed in the USA. 100128A 3/07. Chief is a registered trademark of CSAV, Inc. All other brand names or marks are used for identification purposes and are trademarks of their respective owners. All patents are protected under existing designations. Other patents pending.