

Chief's Short Throw Projector Systems offer a variety of extension lengths and precision image alignment for fast installation. Sold separately, Chief's Wall Mounts, Projector Mounts, and Accessories make up a total, state-of-the-art solution to any short throw projector application.

[www.chiefmfg.com](http://www.chiefmfg.com)



# SHORT THROW WALL MOUNTS

## PROJECTOR SOLUTIONS

# SHORT THROW WALL MOUNTS

Chief's Short Throw Wall Mounts provide unparalleled flexibility, precision and strength. Get ideal placement and alignment with exclusive features that provide fast and secure installations.

1. Choose extension based on projector focal length
2. Select an RPA® or RPA Elite® Series Projector Mount
3. Add additional accessories or Chief's whiteboard mount for a complete front projection solution

### OPTIONAL ACCESSORY

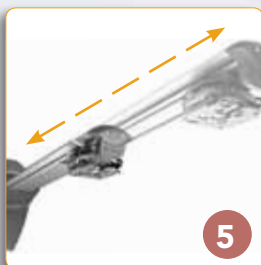
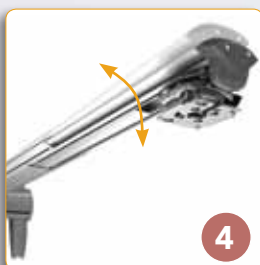
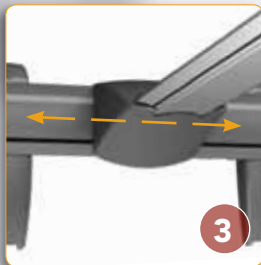


**WMAL24™**  
24" on-center  
stud accessory



### FEATURES (WM220AUS shown)

- 1 PROJECTOR OPTIONS**  
Compatible with industry-standard Chief RPA and RPA Elite Series projector mounts
- 2 MULTIPLE OPTIONS**  
Single- and Dual-stud installation options
- 3 LATERAL SHIFT**  
13" (330 mm) post-installation lateral shift with dual-stud version
- 4 PRECISION HEIGHT & LEVELING**  
Industry-first micro height and leveling adjustment,  $\pm 3^\circ$
- 5 VARIABLE EXTENSION**  
Telescoping extension up to 54" (137 cm) on select models
- 6 INTEGRATED CABLE MANAGEMENT**  
Fully internal cable management system conceals and protects cables for a clean finish
- 7 SECURITY OPTIONS**  
Multiple levels of security, including All-Points™ locking hardware, and four projector mount keyed locking options (A/B/C/D)



WALL MOUNT KITS

Order Chief's Short Throw Wall Mounts separately, or as a kit that includes the silver RPA Elite Mini Universal Projector Mount (RSMAUS):

- WM210AUS™
- WM220AUS™
- WM230AUS™
- WM110AUS™
- WM120AUS™
- WM130AUS™



WM230AUS  
Includes WM230S™ and RSMA™

WM130AUS  
Includes WM130S™ and RSMA™

SPECIFICATIONS

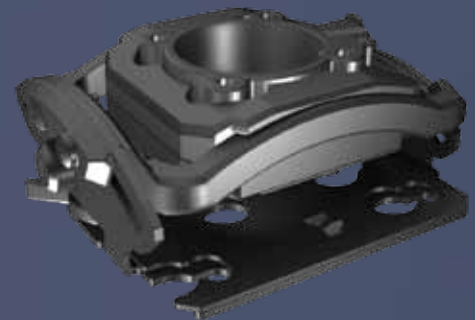
Model	Extension	Pitch	Lateral Shift	Weight Capacity	Color
WM210S™ Dual Stud Wall Arm	0 - 18" (0 - 457 mm)	±3	10" (254 mm)	50 lbs (22.7 kg)	silver
WM110S™ Single Stud Wall Arm	0 - 18" (0 - 457 mm)	±3	–	50 lbs (22.7 kg)	silver
WM220S™ Dual Stud Wall Arm	18 - 30" (457 - 762 mm)	±3	10" (254 mm)	25 lbs (11.3 kg)	silver
WM120S™ Single Stud Wall Arm	18 - 30" (457 - 762 mm)	±3	–	25 lbs (11.3 kg)	silver
WM230S Dual Stud Wall Arm	30 - 54" (76.2 - 137.2 cm)	±3	10" (254 mm)	25 lbs (11.3 kg)	silver
WM130S Single Stud Wall Arm	30 - 54" (76.2 - 137.2 cm)	±3	–	25 lbs (11.3 kg)	silver

## Industry-Leading RPA and RPA Elite Series Projector Mounts

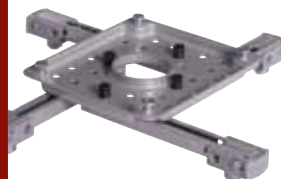
Chief's industry-leading RPA and RPA Elite Series Projector Mounts are packed with features that save time and money on installations.

- Industry-first microadjustable projector mount
- Ships fully assembled with everything you need for installation
- Compatible with a wide array of accessories
- Available in standard, or mini sizes for smaller projector models
  - Weight capacity for standard models: 50 lbs (22.7 kg)
  - Weight capacity for mini sizes: 25 lbs (11.3 kg)

For custom models, visit Chief's MountFinder Pro™ at [www.chiefmfg.com](http://www.chiefmfg.com).



NEW UNIVERSAL INTERFACE



RPA and RPA Elite universal interface provides even faster installation and lamp and filter access.

Soon available on all models.



# SHORT THROW WALL MOUNTS PROJECTOR SOLUTIONS

## INTERACTIVE WHITEBOARD MOUNT



Chief's new whiteboard wall mount installs easily on the wall or over an existing chalkboard to avoid damage or costly removal. Get perfect alignment with post-installation adjustment features.

- Fully adjustable universal design for precise positioning
- Triple stud mounting with lateral shift
- Universally compatible with most interactive whiteboards



### Complete Front Projection Whiteboard Solution

Use with a Chief Short Throw Projector Mount Kit for a complete front projection whiteboard solution.



#### SERVICE EXCELLENCE

Chief products are backed by the best in customer service. Contact any of our Customer Service team members M-F, 7am to 7pm (CST) for assistance.



For more information on these and other products from Chief, the industry leader in AV mounting solutions, visit [www.chiefmfg.com](http://www.chiefmfg.com).

Distribuido por: **TECCO** SISTEMAS AV | T +34 976 572 279 • F +34 976 573 673 • [www.tecco.net](http://www.tecco.net)

end-user focused

faster installation

superior service

proven quality

CHIEF MANUFACTURING

■ A DIVISION OF MILESTONE AV TECHNOLOGIES ■ [www.chiefmfg.com](http://www.chiefmfg.com)

Milestone AV Technologies

■ P 800.582.6480 / 952.894.6280 ■ F 877.894.6918 / 952.894.6918 ■ [chief@chiefmfg.com](mailto:chief@chiefmfg.com)

Chief Mounts Canada

■ P 877.345.4329 ■ F 888.377.5314 ■ [info@chiefmounts.ca](mailto:info@chiefmounts.ca)

Milestone AV Technologies B.V.

■ P +31 40 23 24 700 ■ F +31 40 23 24 710 ■ [europe.chief@milestone.com](mailto:europe.chief@milestone.com)

Milestone AV Technologies Ltd

■ P +852 2145 4099 ■ F +852 2145 4477 ■ [asia.chief@milestone.com](mailto:asia.chief@milestone.com)

©2009 Milestone AV Technologies, a Duchossois Group Company. 900093A 6/09. Chief is a registered trademark of Milestone AV Technologies. All other brand names or marks are used for identification purposes and are trademarks of their respective owners. All patents are protected under existing designations. Other patents pending.