



Chief sets the industry standard with RPA and RPA Elite Projector mounts with exclusive features that save time and money on installations. Industry-first features like MicroZone™ Micro-adjustments provide perfect projector registration quickly, and easy lamp and filter access makes maintaining projectors fast.

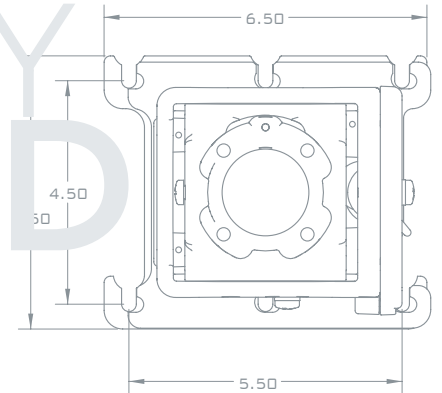
www.chiefmfg.com



THE INDUSTRY STANDARD

RPA and RPA Elite Projector Mounts

Chief sets the industry standard with RPA and RPA Elite Projector mounts with exclusive features that save time and money on installations.



FEATURES

- Industry-first micro adjustable projector mounts
- Compatible with a wide array of accessories
- Ships fully assembled with everything you need for installation
- Available in Custom (black) or Universal (black, silver, white) models
- Mini versions of these mounts, now available for smaller projector models



■ NEW UNIVERSAL INTERFACE

RPA and RPA Elite universal interface makes installation and maintenance even faster. Soon available on all RPA and RPA Elite projector models.

- Requires only 35% of the hardware vs. other universal models
- Easy installation in 3 steps
- Quick disconnection at two sites, (bracket from ceiling, and bracket from projector)



CEILING MOUNTS

Standard Projector Models

(up to 50 lbs, 22.7 kg)

RPM

Chief's industry standard RPA and RPA Elite (RPM Series) of projector mounts were designed for speed of installation, and easy lamp and filter access. They are the first micro-adjustable projector mounts on the market allowing installer's to fine-tune registration quickly.



RPA

Smaller Projector Models "The Minis"

(up to 25 lbs, 11.3 kg)

RSM

Ideal for smaller projector models, Chief's all-new miniature versions of the RPA and RPA Elite Projector Mounts include all the same great features as their predecessors, in almost half the size!



RSA

FEATURES (RPA Elite)

- 1 **MICROZONE™ ADJUSTMENTS**
This feature makes projector registration fast and precise (including flush-mount installations).
- 2 **CENTRIS® TECHNOLOGY**
Enables effortless fingertip positioning. Self-adjusts to support different projector weights.
- 3 **Q-LOCK™ QUICK RELEASE LEVER**
Provides quick connect/disconnect of the projector for service and enhanced security with an integrated key and lock system.



SPECIFICATIONS

Model	Roll	Pitch	Yaw	Weight Capacity	Color (Custom; Universal)
RPM	±3°	±20°	360°	50 lbs (22.7 kg)	Black; Black, Silver, White
RPA	±4°	±25°	360°	50 lbs (22.7 kg)	Black; Black, Silver, White
RSMA	±3°	±15°	360°	25 lbs (11.3 kg)	Black; Black, Silver, White
RSA	±3°	±20°	360°	25 lbs (11.3 kg)	Black; Black, Silver, White

RPA SERIES – THE INDUSTRY STANDARD

Larger, Heavy-Duty Projector Models

(up to 250 lbs, 113.4 kg)

VCM



Motorized Projector Models

(up to 35 lbs, 15.9 kg)

SL151
SL236



Advanced Security Models

(up to 50 lbs, 22.7 kg)

RPMA1
RPAA1



SPECIFICATIONS

Model	Roll	Pitch	Yaw	Weight Capacity	Extension	Color
VCM	±5°	±20°	360°	250 lbs (113.4 kg)	–	Black
RPMA1	±3°	±20°	360°	50 lbs (22.7 kg)	–	Black, White
RPAA1	±4°	±25°	360°	50 lbs (22.7 kg)	–	Black, White
SL151	±2°	±20°	±5°	35 lbs (15.9 kg)	8.5" (216 mm)	White
SL236	±3°	±15°	±10°	35 lbs (15.9 kg)	36" (914 mm)	White



PROJECTOR SOLUTIONS

SELECTION GUIDE

WALL MOUNTS

Short Throw Mounts

(up to 50 lbs, 22.7 kg)

WM230AUS

Available in single- or dual-stud designs, Chief's Short Throw Wall Mounts provide unparalleled flexibility, precision and strength. Get ideal placement and alignment with exclusive features that provide fast and secure installations.

Order separately, or as a kit which includes an RSMAUS Silver Universal Projector Mount.

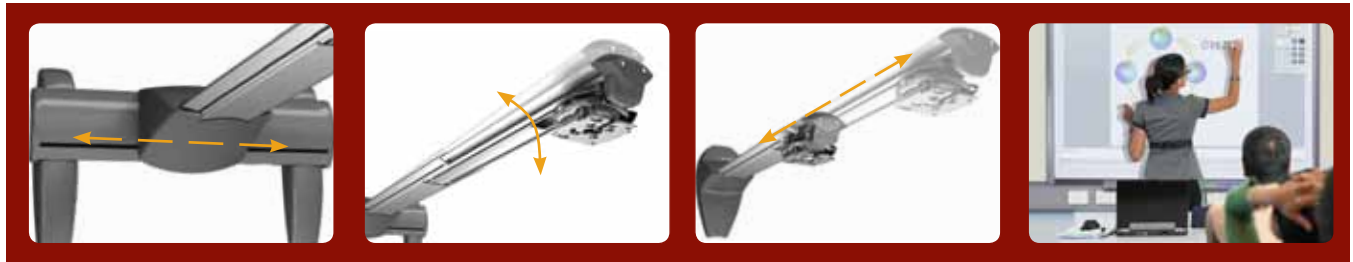


WM110AUS

Whiteboard Mount

WBMUS

Use Chief's WBMUS Whiteboard Wall mount for mounting a whiteboard on the wall, or over an existing chalkboard. Use with Chief's short throw wall mounts for a complete front projection whiteboard mounting system.



SPECIFICATIONS

Model	Extension	Pitch	Lateral Shift	Weight Capacity	Color
WM210S™ Dual Stud Wall Arm	0 - 18" (0 - 457 mm)	±3	10" (254 mm)	50 lbs (22.7 kg)	silver
WM110S™ Single Stud Wall Arm	0 - 18" (0 - 457 mm)	±3	-	50 lbs (22.7 kg)	silver
WM220S™ Dual Stud Wall Arm	18 - 30" (457 - 762 mm)	±3	10" (254 mm)	25 lbs (11.3 kg)	silver
WM120S™ Single Stud Wall Arm	18 - 30" (457 - 762 mm)	±3	-	25 lbs (11.3 kg)	silver
WM230S Dual Stud Wall Arm	30 - 54" (76.2 - 137.2 cm)	±3	10" (254 mm)	25 lbs (11.3 kg)	silver
WM130S Single Stud Wall Arm	30 - 54" (76.2 - 137.2 cm)	±3	-	25 lbs (11.3 kg)	silver



PROJECTOR SOLUTIONS SELECTION GUIDE

ACCESSORIES

Chief has a full line of mount accessories that integrate quickly and easily with the mount. Design a custom system with one or more of Chief's innovative accessory options.



Structural Adapters



Extension Columns



Vibration Isolation



Lateral Shift



Ceiling Plates



Security



Suspended Ceiling



Power


PROJECTOR KITS

We've taken some of our most popular configurations, and bundled them together for ease of ordering.

For more information on Projector Kits, visit www.chiefmfg.com.



KITES003 – a complete mounting system for suspended ceiling installations.



SERVICE EXCELLENCE

Chief products are backed by the best in customer service. Contact any of our Customer Service team members M-F, 7am to 7pm (CST) for assistance.



For more information on these and other products from Chief, the industry leader in AV mounting solutions, visit www.chiefmfg.com.

Distribuido por:  | T +34 976 572 279 • F +34 976 573 673 • www.tecco.net

end-user focused

faster installation

superior service

proven quality

CHIEF MANUFACTURING

Milestone AV Technologies

Chief Mounts Canada

Milestone AV Technologies B.V.

Milestone AV Technologies Ltd

■ A DIVISION OF MILESTONE AV TECHNOLOGIES ■ www.chiefmfg.com

■ P 800.582.6480 / 952.894.6280 ■ F 877.894.6918 / 952.894.6918 ■ chief@chiefmfg.com

■ P 877.345.4329 ■ F 888.377.5314 ■ info@chiefmounts.ca

■ P +31 40 23 24 700 ■ F +31 40 23 24 710 ■ europe.chief@milestone.com

■ P +852 2145 4099 ■ F +852 2145 4477 ■ asia.chief@milestone.com

©2009 Milestone AV Technologies, a Duchossois Group Company. 900093A 6/09. Chief is a registered trademark of Milestone AV Technologies. All other brand names or marks are used for identification purposes and are trademarks of their respective owners. All patents are protected under existing designations. Other patents pending.